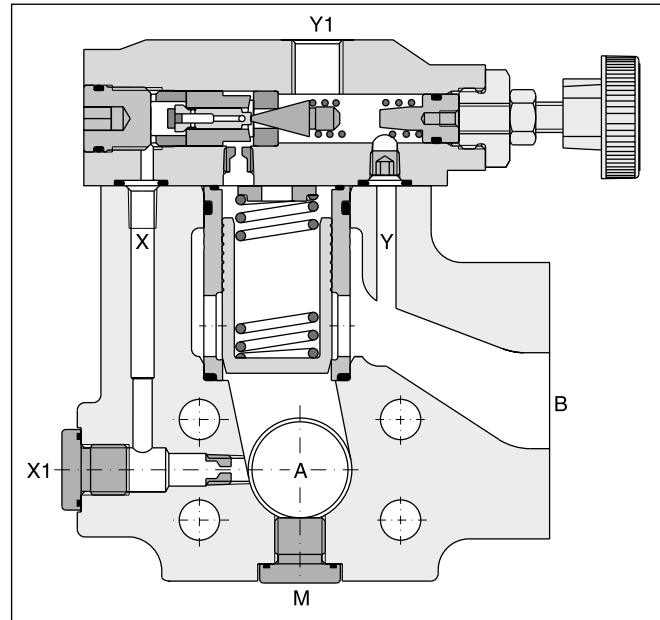
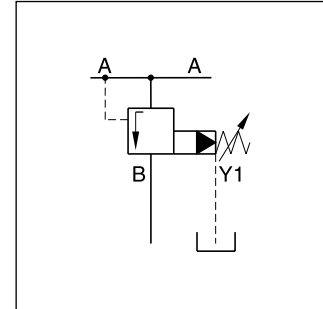


Characteristics / Ordering Code

Pilot operated sequence valves series R5S have a similar design to the subplate mounted R4S series. The SAE flanges allow to mount the valve directly on the inlet flanges of actuators or outlet flanges of pumps to achieve a very compact design.

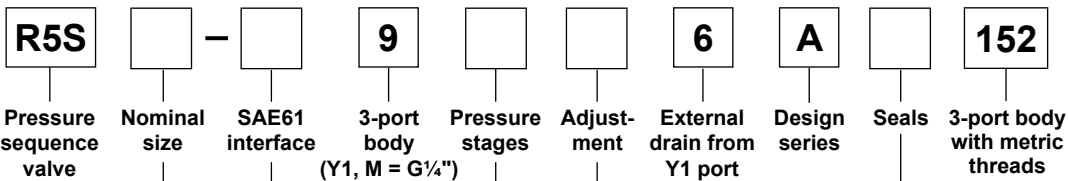
Features

- Pilot operated with manual adjustment
- 3-port body with SAE61 flange
- 3 sizes (SAE ¾", 1", 1¼")
- 3 pressure stages
- 2 adjustment modes
 - Hand knob
 - Acorn nut with lead seal
- Optional with vent function (on request)



Ordering code

9



Code	Port size
06	SAE ¾"
08	SAE 1"
10	SAE 1¼"

SAE 61		
Code	Size	Max. pressure [bar]
4	10	280
5	06/08	350

Code	Pressure stages
1	up to 105 bar
3	up to 210 bar
5 ¹⁾	up to 350 bar

Code	Seals
1	NBR
5	FPM

Code	Adjustment
1	Hand knob
3	Acorn nut with lead seal

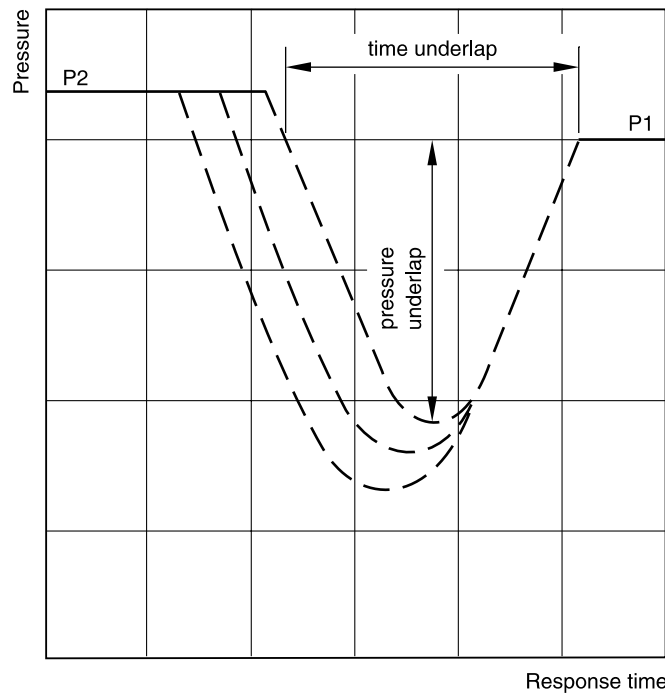
Further options on request

Technical Data / Characteristic Curves

Technical data

General				
Size		06 (3/4")	08 (1")	10 (1 1/4")
Mounting	Flanged according to SAE61			
Mounting position	unrestricted			
Ambient temperature	[°C]	-20...+60		
MTTF _D value	[years]	75		
Weight	[kg]	3.6	4.6	5.2
Hydraulic				
Max. operating pressure	[bar]			
	Ports A, B	350	350	280
	Ports Y, Y1	30	30	30
Pressure stages	[bar]	105, 210, 350		
Nominal flow	[l/min]	90	300	600
Fluid	Hydraulic oil according to DIN 51524			
Fluid temperature	[°C]	-20...+70 (NBR: -25...+70)		
Viscosity	permitted	[cSt] / [mm ² /s]	20 ... 400	
	recommended	[cSt] / [mm ² /s]	30...80	
Filtration	ISO 4406 (1999); 18/16/13			

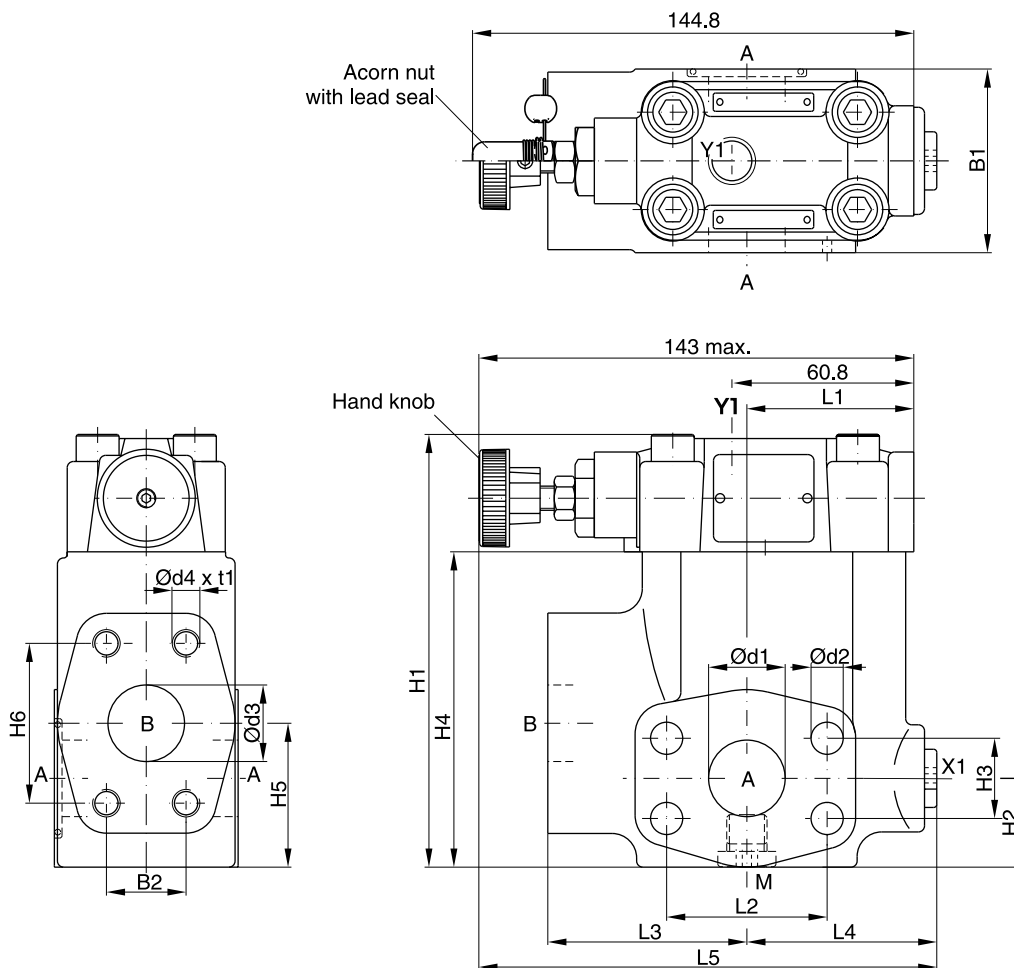
Typical pressure characteristics at closing point



P1 = setting pressure
P2 = operating pressure

Time and pressure underlap depend on the characteristics of the specific system.

¹⁾ R5S10-495 up to 280 bar.



9

SAE61

Seal kits		
NG	NBR	FPM
06	S16-91850-0	S16-91850-5
08	S16-91851-0	S16-91851-5
10	S16-91852-0	S16-91852-5

NG	B1	B2	H1	H2	H3	H4	H5	H6	L1	L2	L3	L4	L5	d1	d2	d3	d4 (option 152)	t1
06	60	22.2	119	29.5	22.2	81	41	47.6	50.3	47.6	63	60	152	19	10.5	19	3/8"-16 UNC (M10)	20
08	60	26.2	141	30.5	26.2	103	47	52.4	55.8	52.4	65	62	149	25	10.5	25	3/8"-16 UNC (M10)	23
10	75	30.2	151	37.5	30.2	113	65	58.7	57.8	58.7	61	68	150.5	32	12.5	30	7/16"-14 UNC (M12)	22

Port	Function	Port size		
		R5S06	R5S08	R5S10
A (2)	Pressure	3/4" SAE61	1" SAE61	1 1/4" SAE61
B	Secondary port	3/4" SAE61	1" SAE61	1 1/4" SAE61
X1	External pilot port ¹⁾	G 1/4"	G 1/4"	G 1/4"
Y1	External drain	G 1/4"	G 1/4"	G 1/4"
M	Pressure gauge	G 1/4"	G 1/4"	G 1/4"

¹⁾ Closed when supplied.